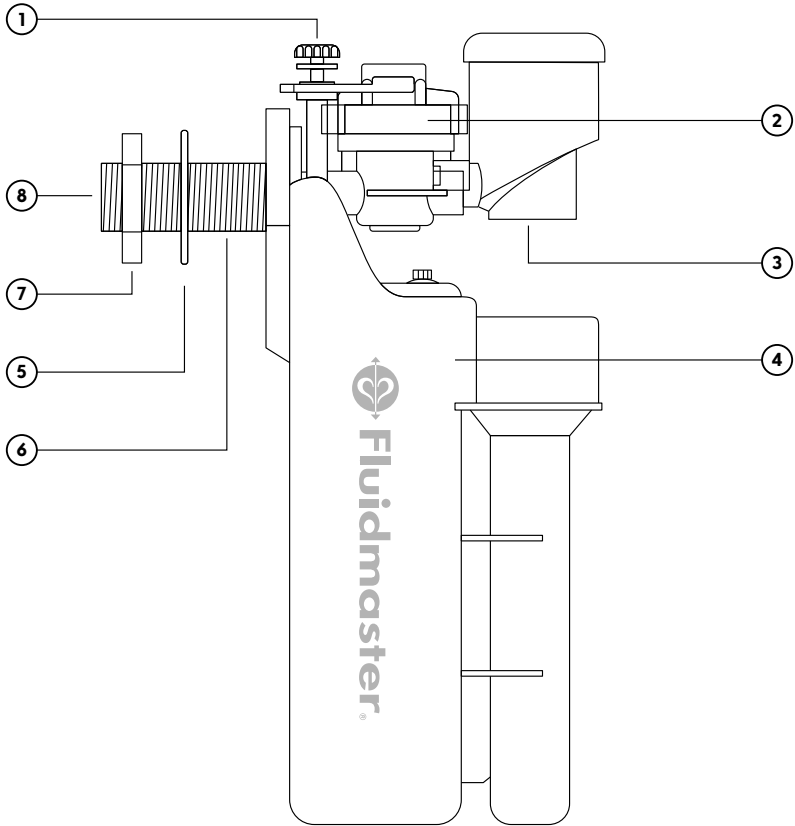


 **Fluidmaster**®

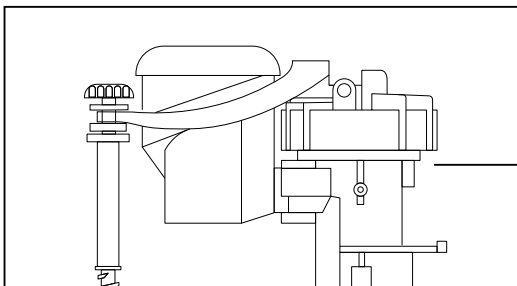
INSTALL WITH CONFIDENCE

1. Float adjustment screw
2. Cap
3. Anti-siphon vortex generator
4. Float chamber & locking sleeve
5. Washer
6. 1/2" or 3/8" BSP threaded shank
7. Nut
8. Pre-fitted flow controller and filter



1. Float adjustment screw
2. Cap
3. Anti-siphon vortex generator
4. Float chamber
5. Washer
6. 1/2" or 3/8" BSP threaded shank
7. Nut
8. Pre-fitted flow controller and filter

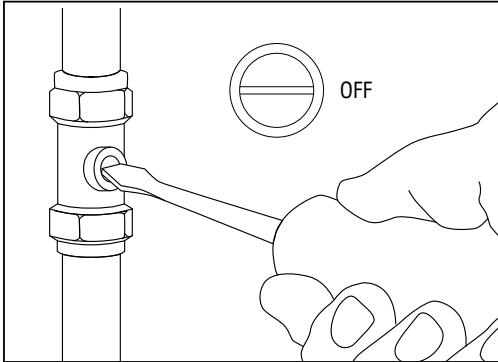
Possible Cause	Possible Solution
Debris around diaphragm.	Isolate water supply. Remove cap (1/8 turn counterclockwise). Remove diaphragm and clean in water or replace the diaphragm.
Insufficient water supply flow/pressure.	Open isolation valves fully, inspect system & pipework.
Cap not tightened.	Ensure cap is fully tightened clockwise against the stop.
Valve assembly is jammed.	Ensure float adjustment screw and attached components are free to move vertically.
Locking sleeve is 'up' (bottom entry only).	Ensure float chamber and locking sleeve is 'down' (locked position).
Flow controller and filter is blocked.	Isolate and disconnect from water supply. Remove flow controller and filter from threaded shank to clean.



Certification/compliance

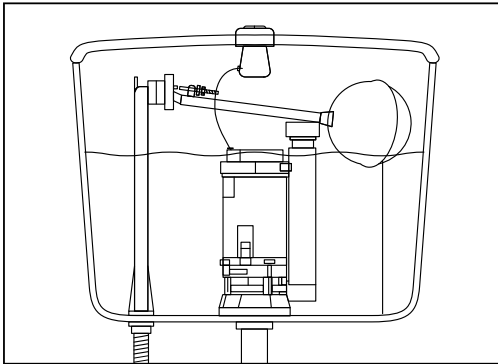
Note: Datum level for vacuum test is a marked line on the body below the **cap**.

Removing your old valve



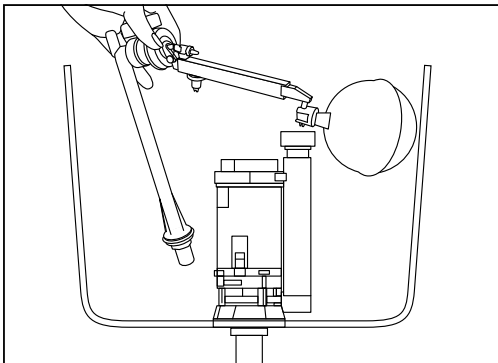
Step 1

Turn off the water supply to the toilet using isolation valve or mains stopcock.



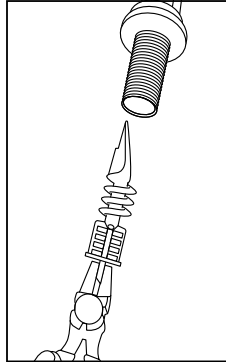
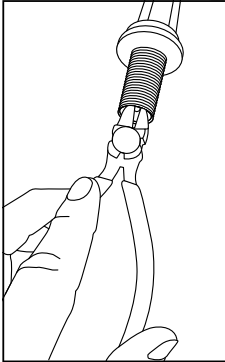
Step 2

Measure or mark the water level inside your cistern. Drain all water from the cistern and disconnect valve supply pipework.



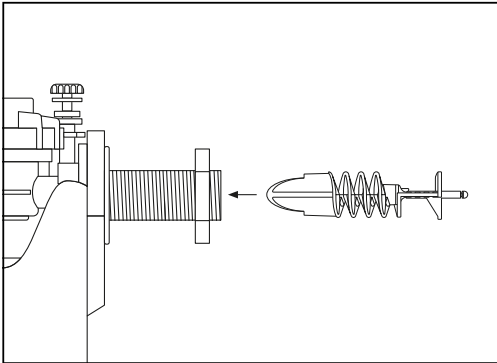
Step 3

Remove the old valve from the cistern and ensure the fixing hole area is clean and free of debris or anything which may impair sealing.

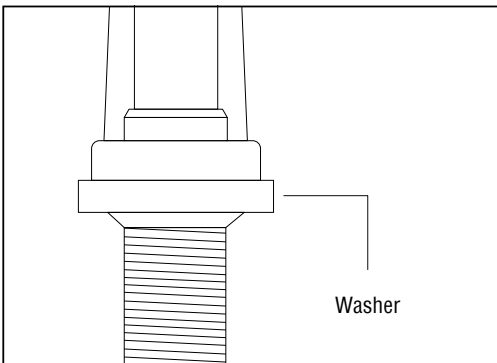


Step 4

Most tank fed systems (<7m of vertical pipe) will benefit from the removal of the **flow controller and filter**. Mains water or pumped installations require the filter/restrictor to be fitted.

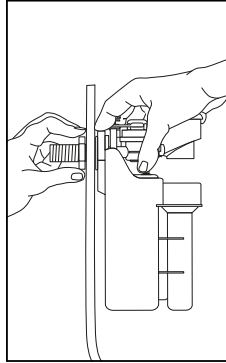
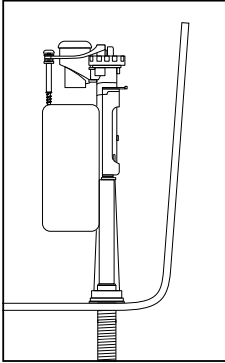


Note: For side entry valve, ensure the **flow controller and filter** is fitted in the orientation as shown.



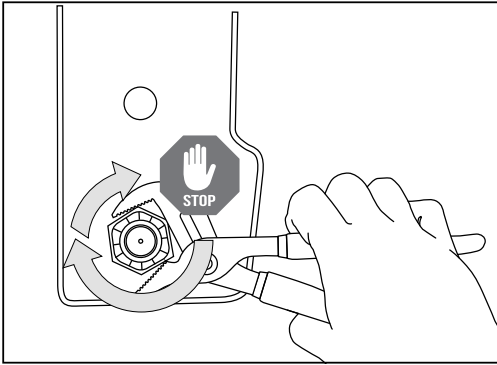
Step 5

Check that the sealing **washer** is pushed fully onto the **threaded shank**.



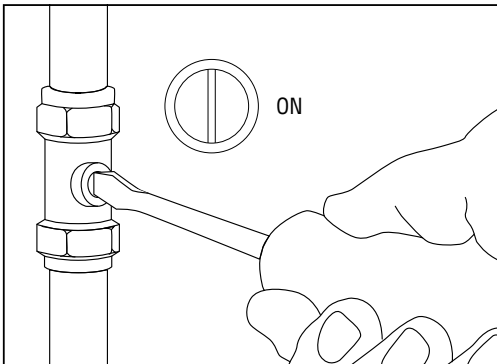
Step 6

Install the valve through the cistern fixing hole with the **washer** inside the cistern and the **nut** on the outside. Ensure the valve is not fouling on the cistern walls or flush mechanism.



Step 7

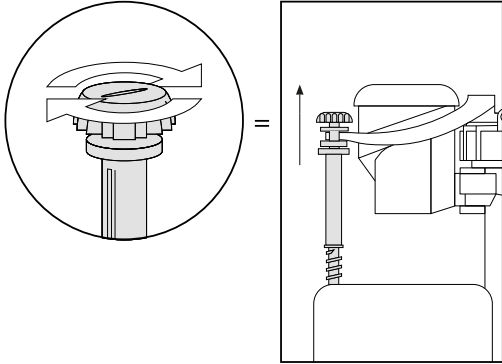
Tighten the **nut** by hand and then by $\frac{1}{2}$ to $\frac{3}{4}$ of a further turn with an appropriate spanner/wrench, to achieve an adequate seal. Be careful not to rotate the valve and **do not overtighten**.



Step 8

Turn the water supply back on ensuring there are no leaks and the flush is operating correctly.

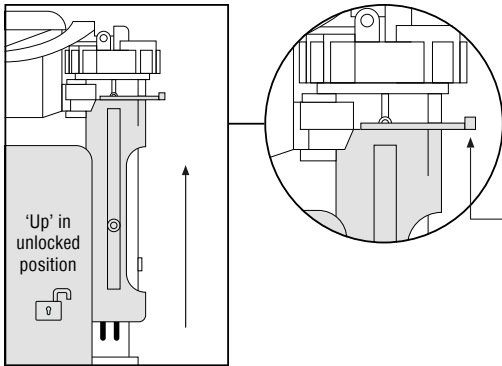
Note: There will be a delay between float lift and valve shut-off and initial cycles of a new valve may be accompanied by a slight noise.



Step 9

Based on your reading taken in **Step 2**, fine tune the water level by turning the **float adjustment screw**. Flush to check the new level and readjust as necessary.

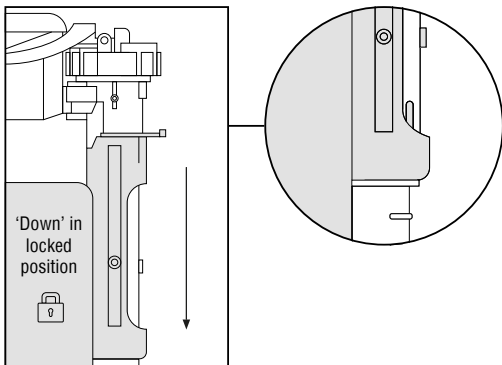
Note: Clockwise rotation will raise the water level, counterclockwise rotation will decrease the water level.



Step 10 (for bottom entry valve only)

To make larger adjustments to the height, turn the water supply off and unlock the **float chamber and locking sleeve** by lifting it upwards.

Important note: Do not force the **float chamber and locking sleeve** beyond the height shown, causing this tab to bend. This may result in damage to the valve and invalidate the warranty.



Step 11 (for bottom entry valve only)

When the valve has been adjusted to the required height, push the **float chamber and locking sleeve** back down to relock the mechanism.

Note: Ensure the **float chamber and locking sleeve** are returned to the locked position before restoring the water supply.

WARRANTY

This Fluidmaster product has a limited warranty for a period of 5 years.

For complete warranty details, please visit our website at www.fluidmaster.com.



Do not use in-cistern drop-in toilet bowl cleaners containing bleach or chlorine. Use of such products will:
(1) result in damage to cistern components and may cause flooding and property damage and (2) void fluidmaster warranty.

Do not overtighten nuts or cistern/bowl may crack.
Always use quality Fluidmaster parts when installing or repairing. Fluidmaster will not be responsible or liable for use of non-Fluidmaster parts during installation or repair.

It is the responsibility of the installer to ensure work is carried out in accordance with all appropriate regulations and guidance.

© 2019 Fluidmaster, inc. ® Registered trademark of Fluidmaster, inc. AirGap™ is a trademark of Fluidmaster GB Ltd. Leaflet code: **LF00296 Rev 2 - 03/01/2020**

For more information in the UK, contact:

salesUK@fluidmaster.com
www.fluidmasterUK.com